

How to...

**set up the Track
Light System**



How to...

connect the track sets

261 010 ++++

261 011 ++++

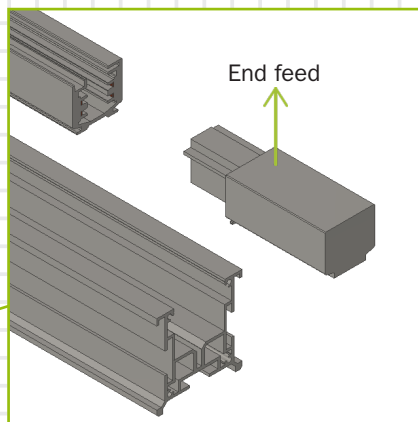
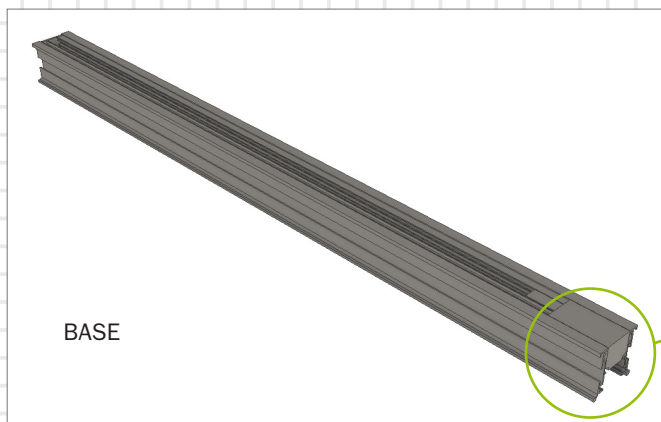
Availability

■ RAL 9005 TEC

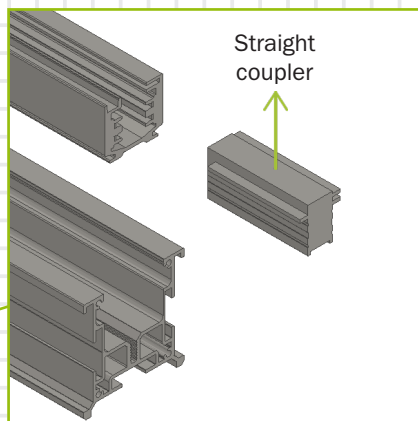
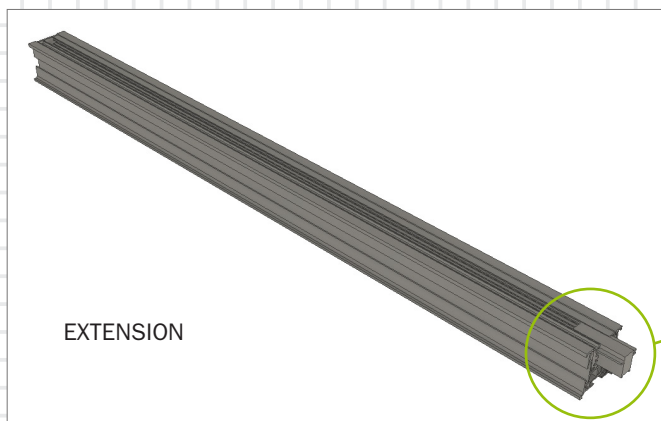
■ RAL 9006 TEC

□ RAL 9016 TEC

261 010 ++++

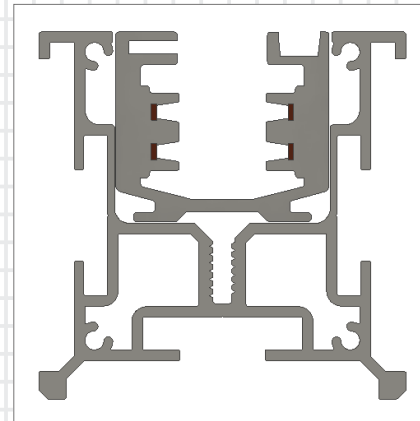
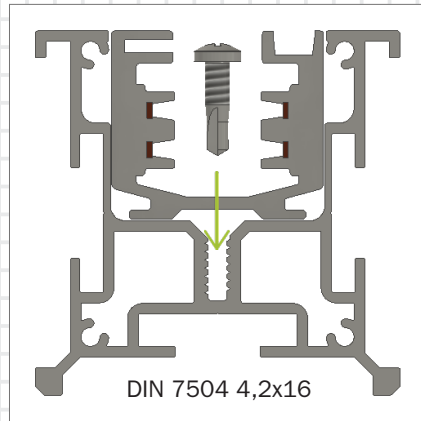
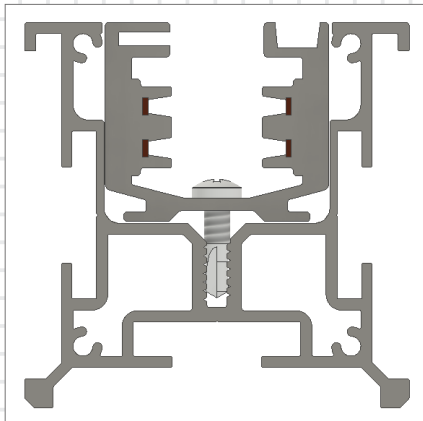
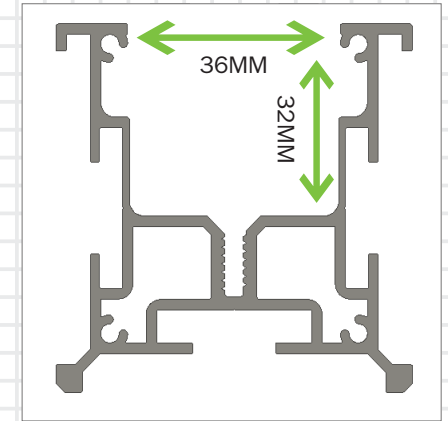
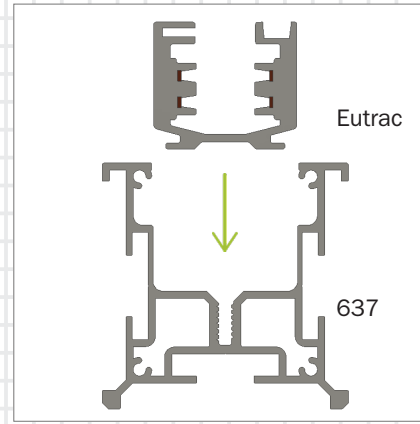
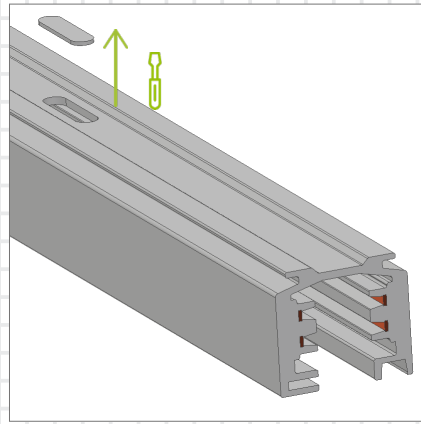
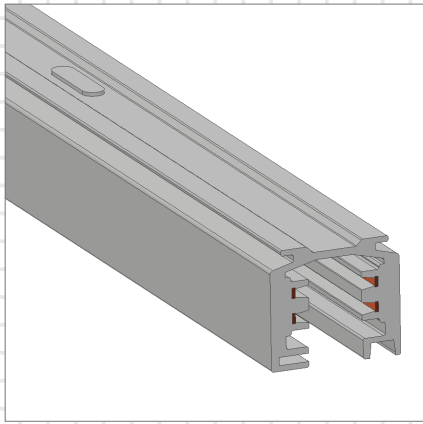


261 011 ++++



How to...

assemble the
Eutrac profile
into the 637
profile



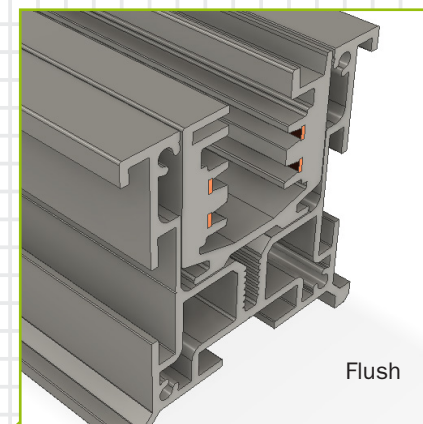
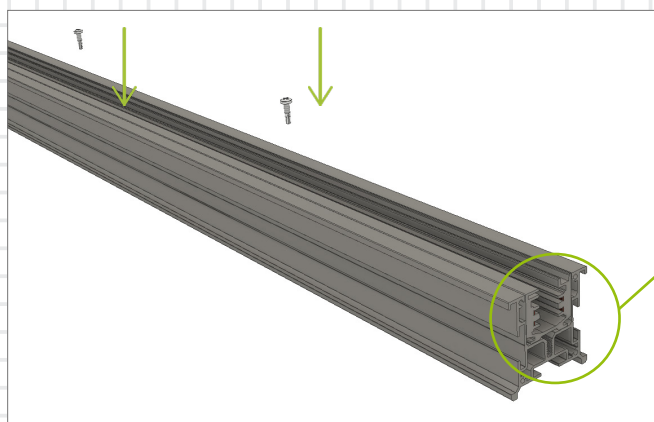
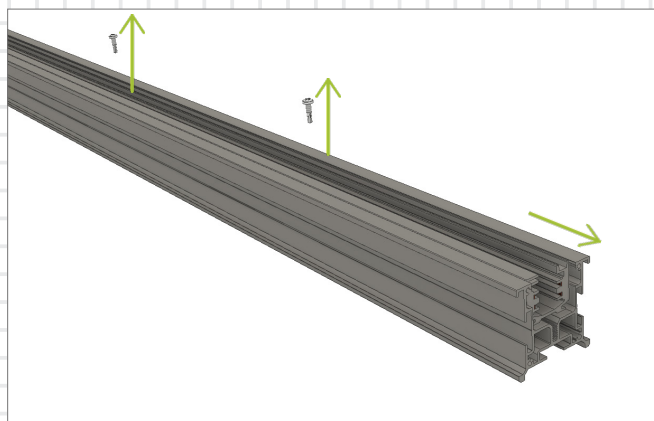
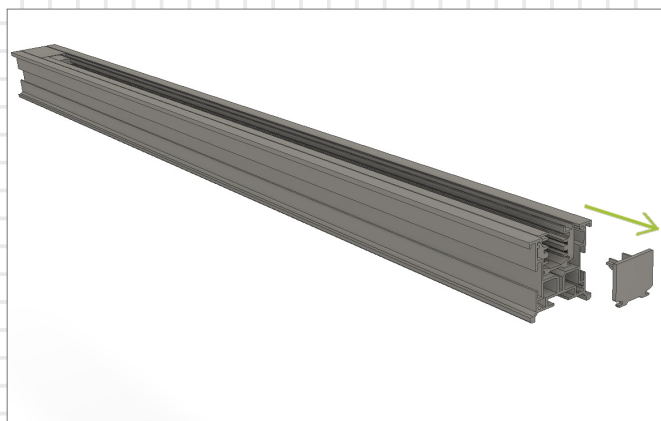
How to...

connect the
track sets
261 010 ++++

Availability

- RAL 9005 TEC
- RAL 9006 TEC
- RAL 9016 TEC

261 010 ++++



How to...

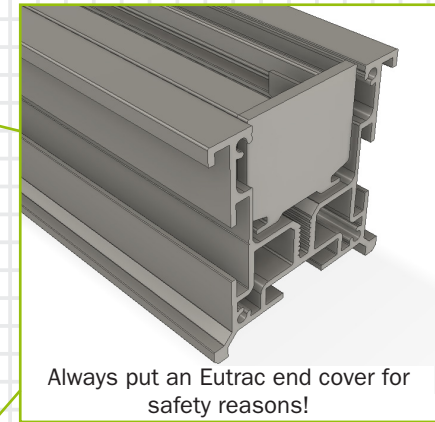
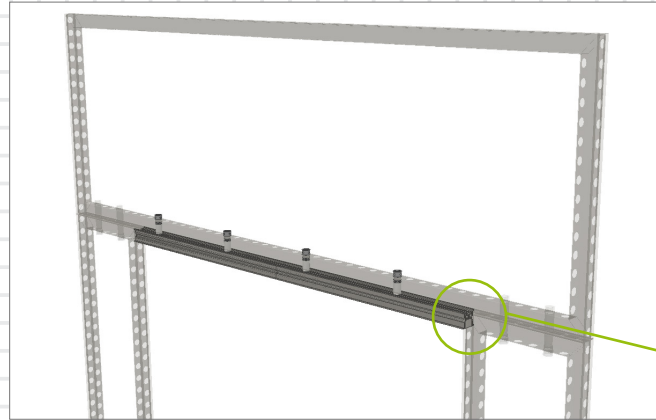
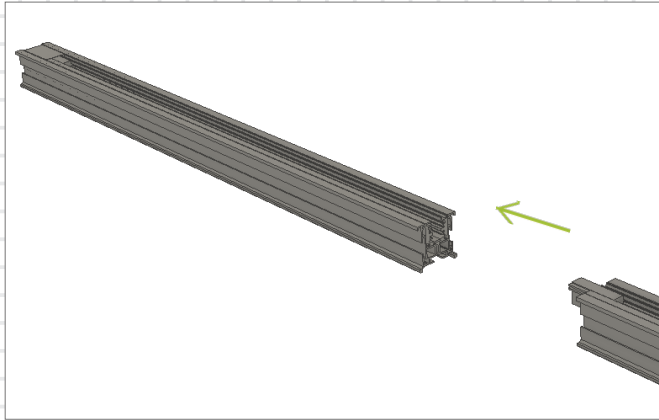
connect the track sets

261 011 ++++
710 25 0306

Availability

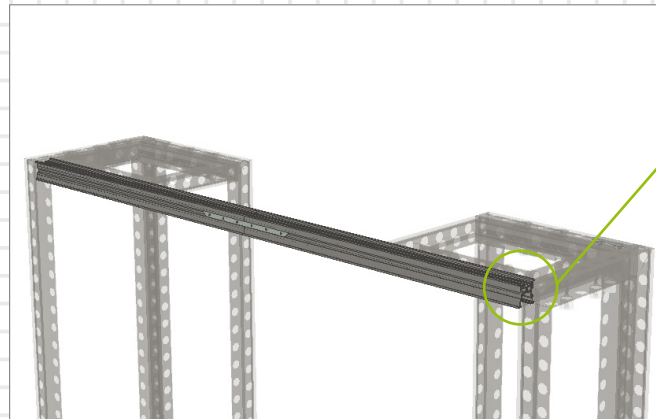
- RAL 9005 TEC
- RAL 9006 TEC
- RAL 9016 TEC

261 011 ++++



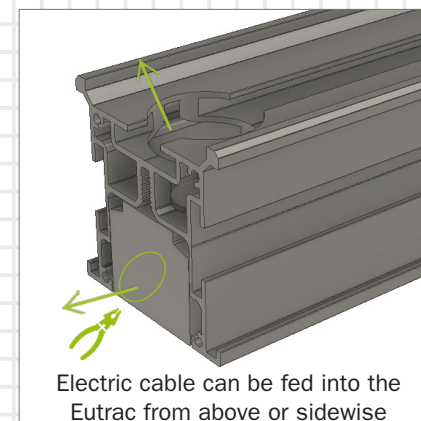
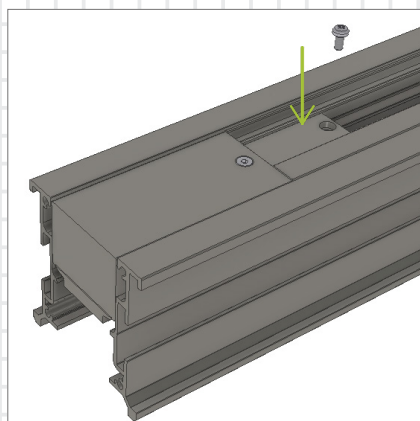
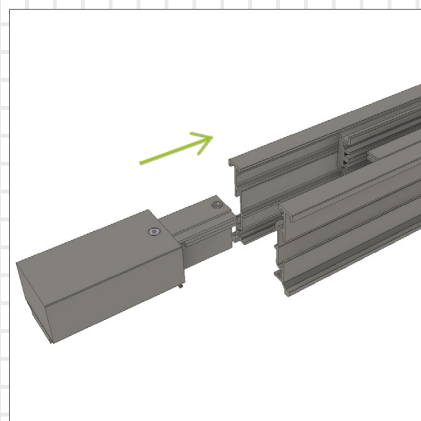
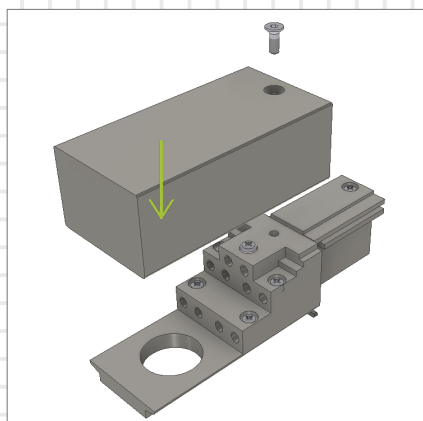
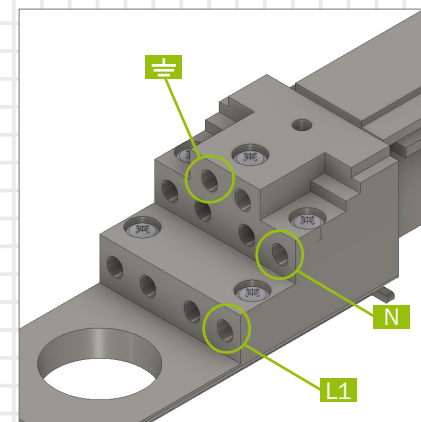
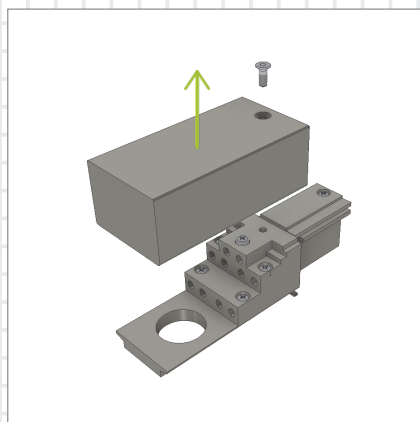
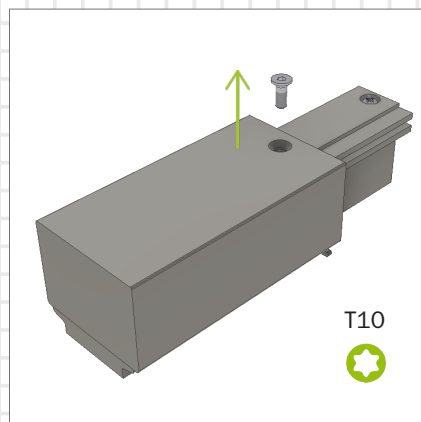
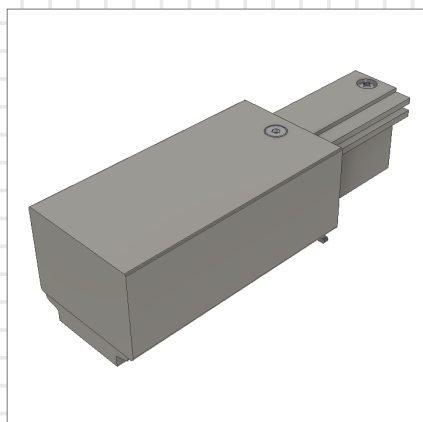
Always put an Eutrac end cover for safety reasons!

710 25 0306



How to...

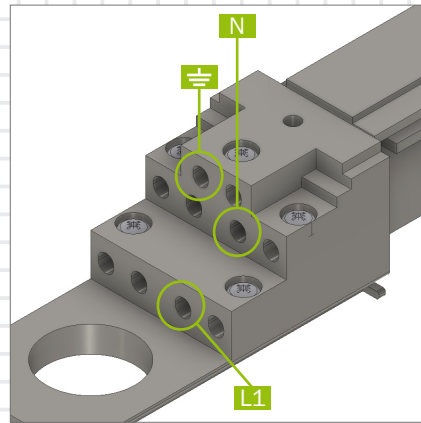
connect the Eutrac feed to the electric power source



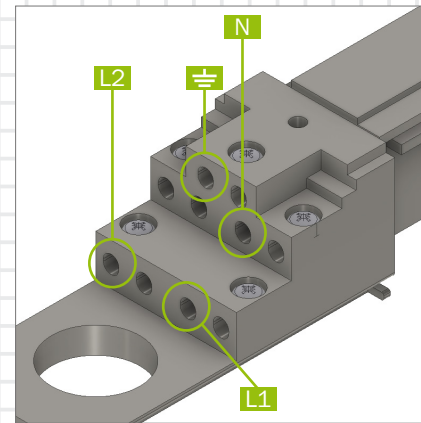
How to...

connect the Eutrac feed to the electric power source

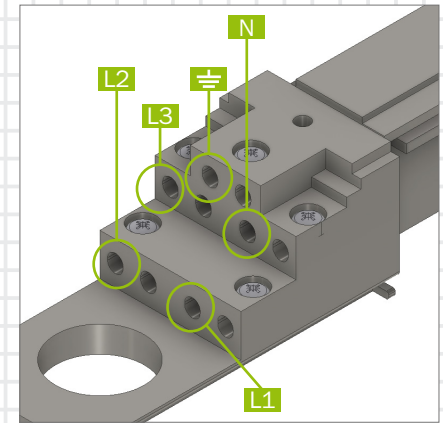
Connection to the mains
1 circuit



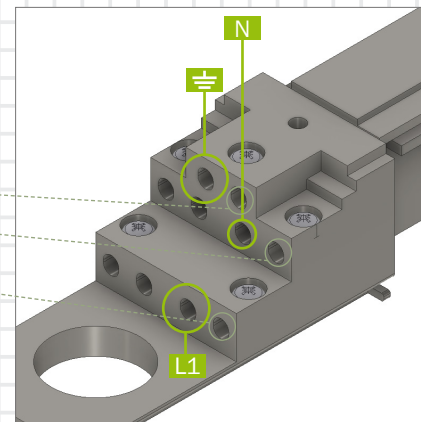
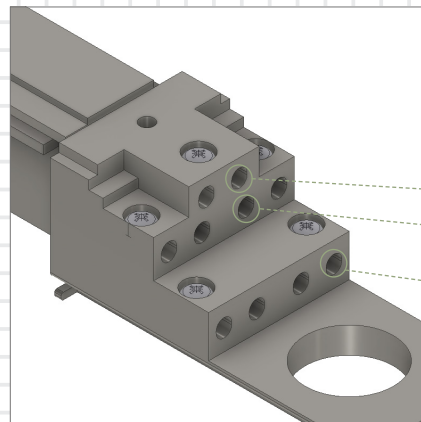
Connection to the mains
2 circuits



Connection to the mains
3 circuits

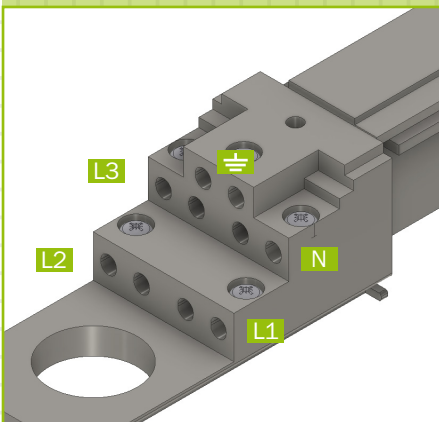
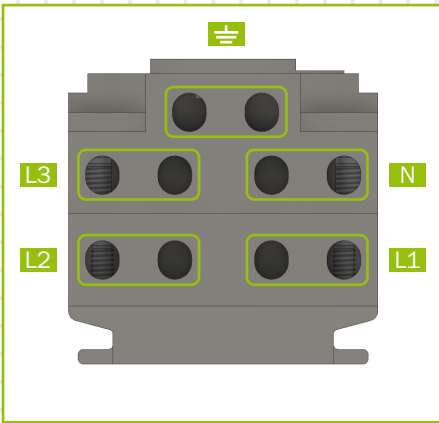


Connection to the mains - 2 Eutrac feeds connected
1 circuit



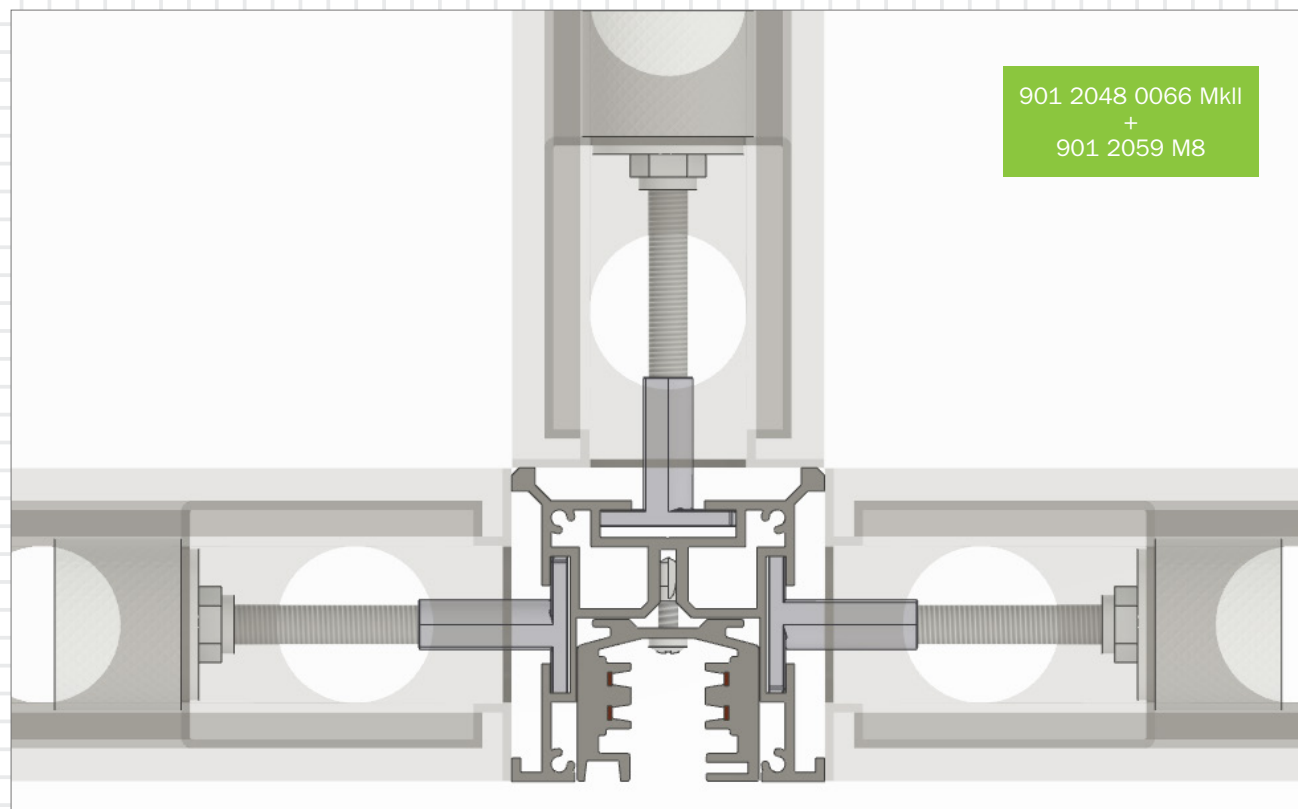
Installation and operating of these end feeds needs to be subject to national safety regulations.

More information:
<https://eutrac.de/>



How to...

connect the
Track Light to
a b62 frame

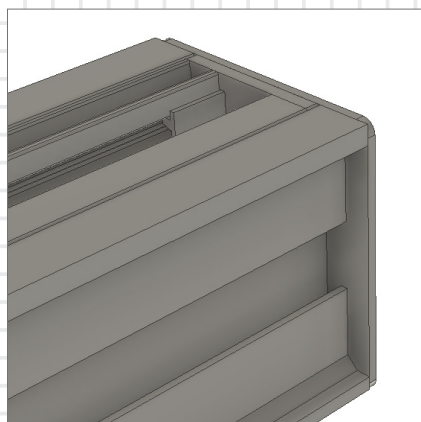


How to...

use the end
piece for the
637 profile
637 11 01

Availability

- RAL 9005 TEC
- RAL 9006 TEC
- RAL 9016 TEC



How to...

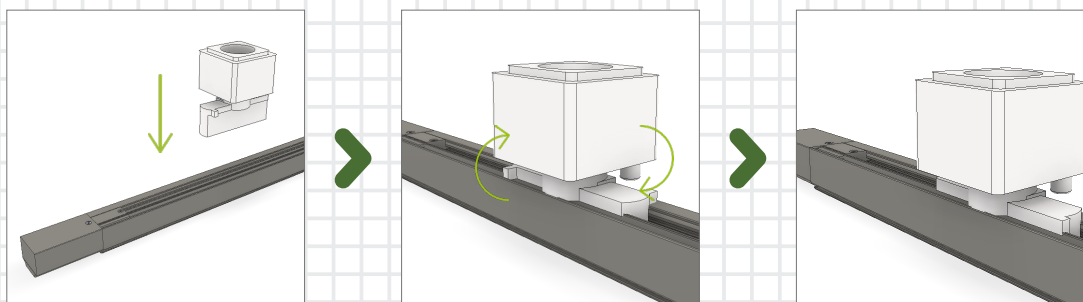
connect the accessories of the Track Lighting

Availability

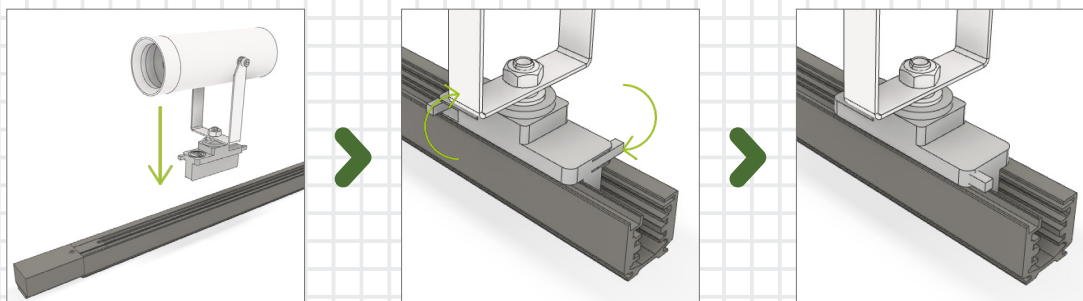
■ RAL 9005 TEC

□ RAL 9016 TEC

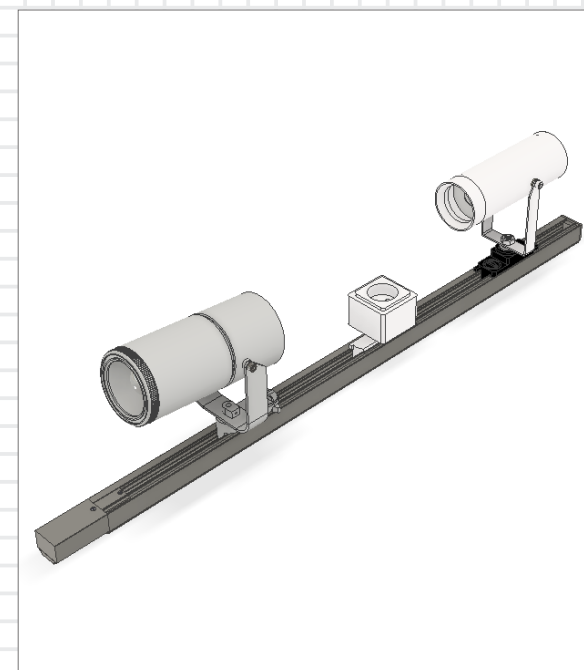
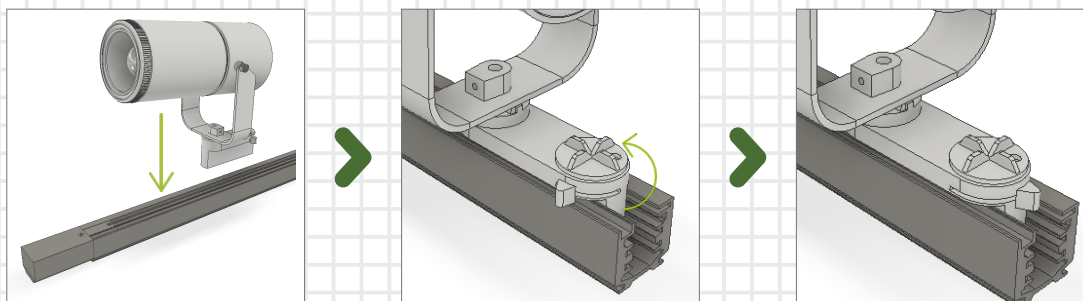
261 01 06



261 02 02



261 02 01



How to...

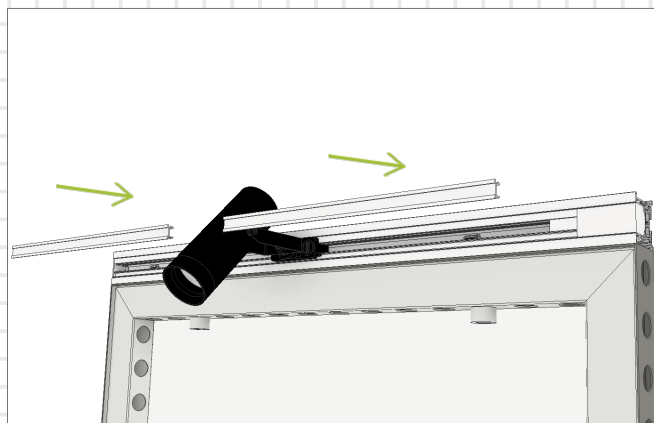
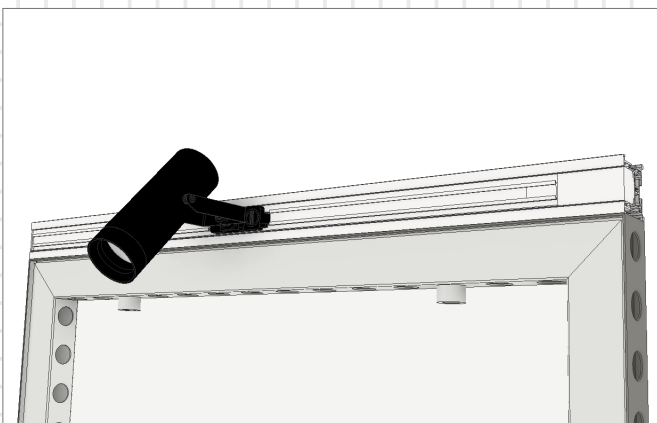
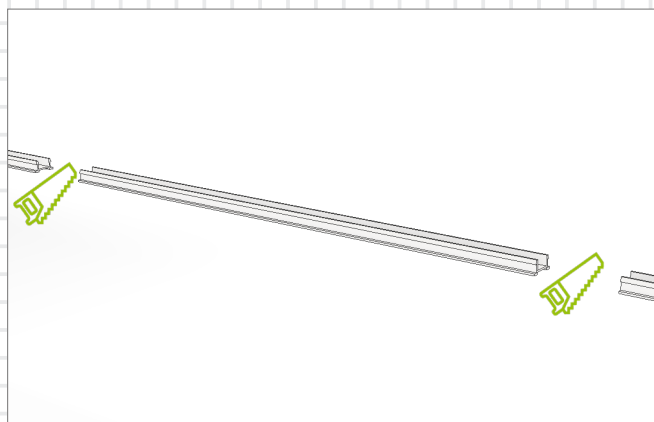
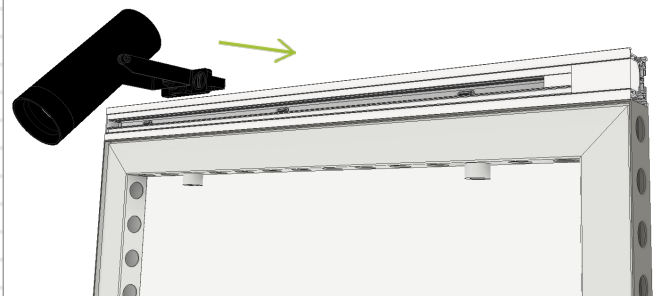
cover the Eutrac
profile
261 01 03

Availability

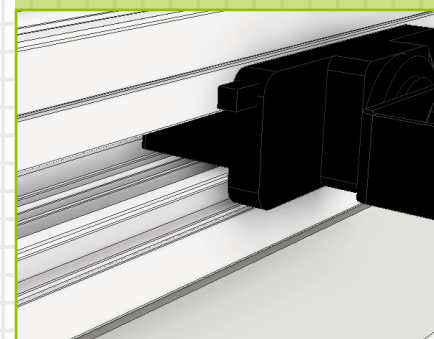
RAL 9005 TEC

RAL 9016 TEC

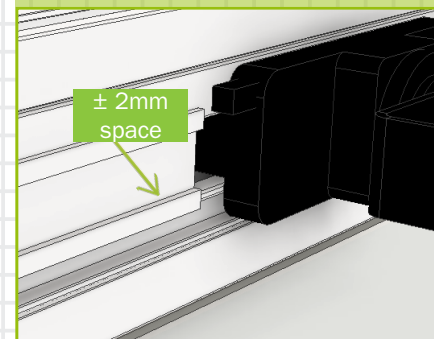
Use this cover for safety reasons!



Before



After

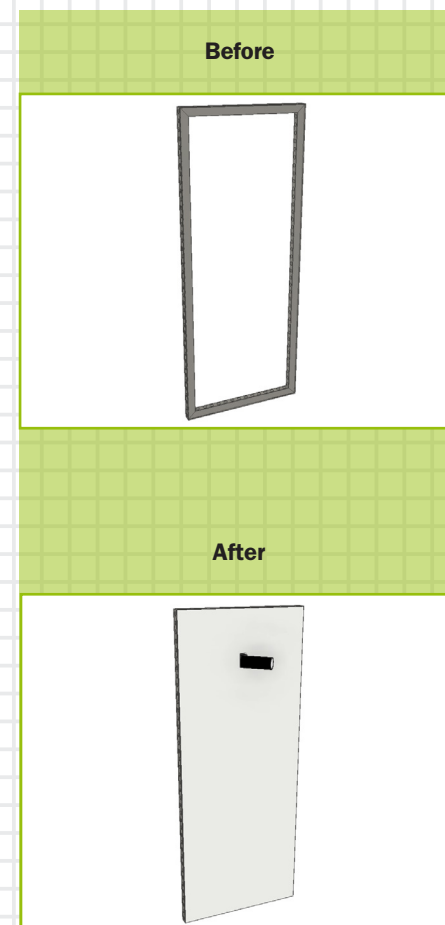
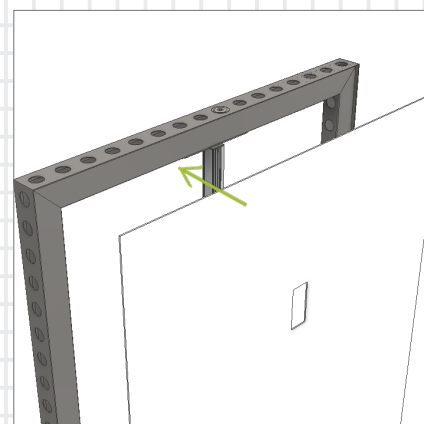
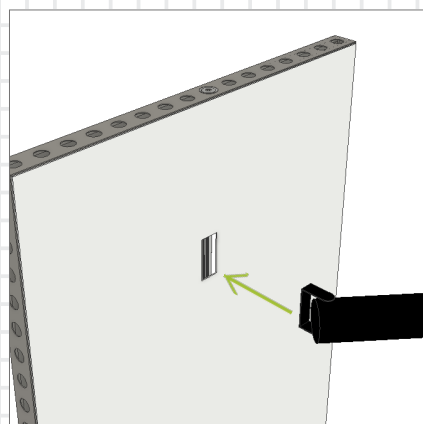
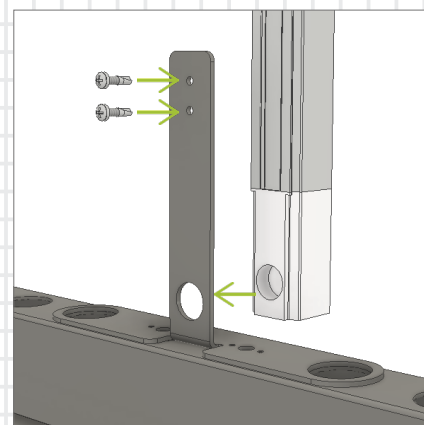
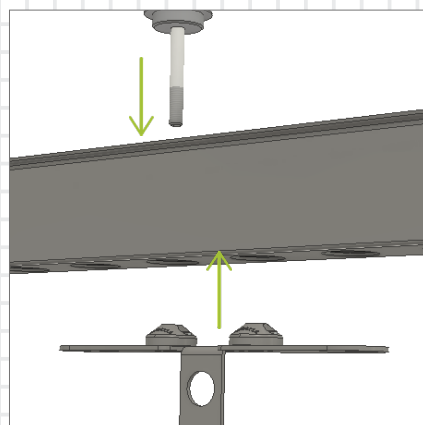
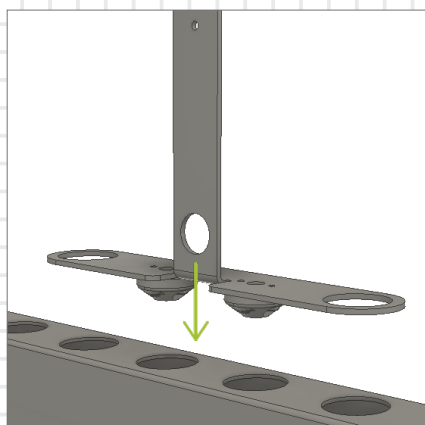


How to...

connect the
Eutrac profile
into a b62 frame
261 014 ++++

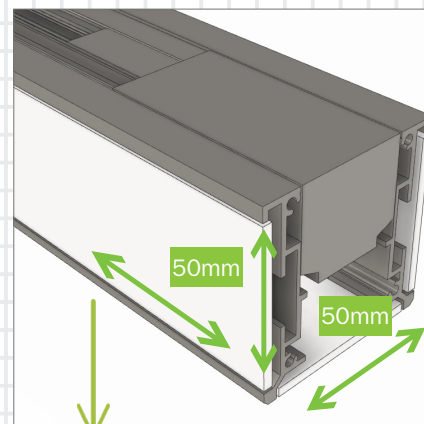
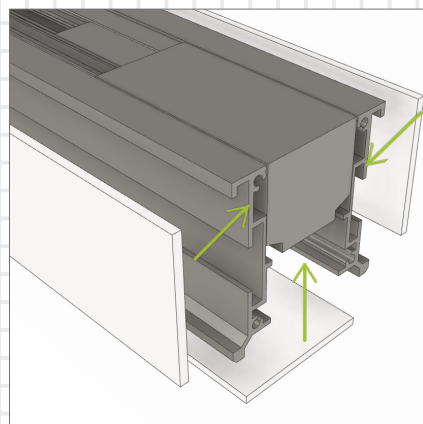
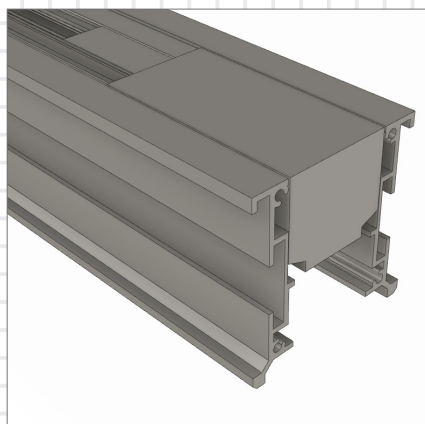
Availability

■ RAL 9006 TEC

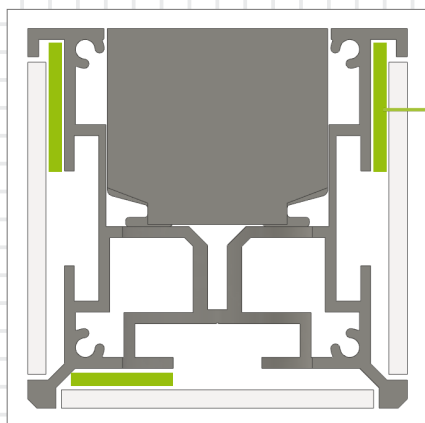


How to...

finish the 637 profile



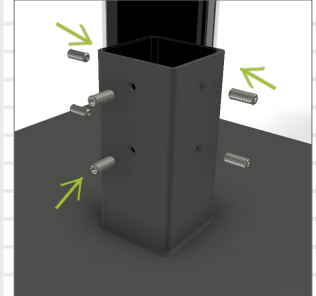
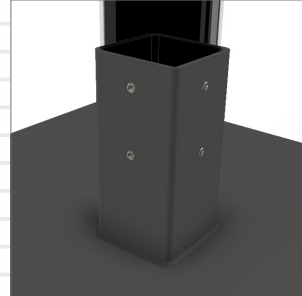
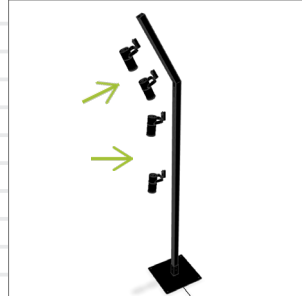
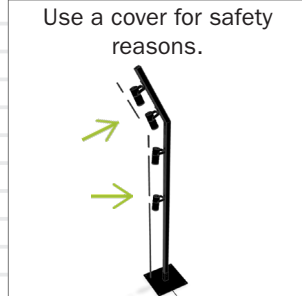
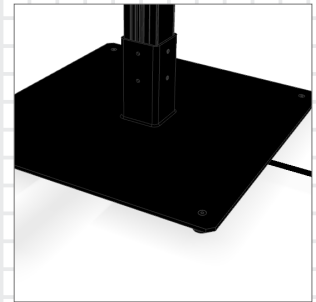
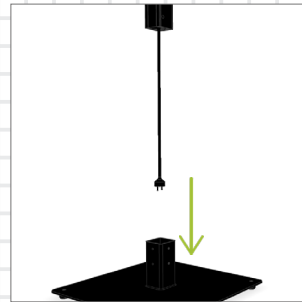
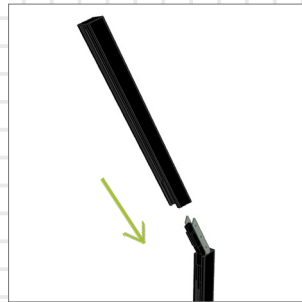
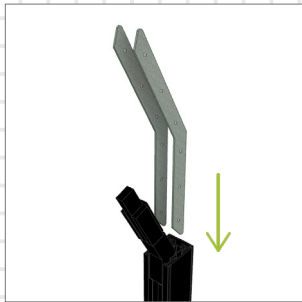
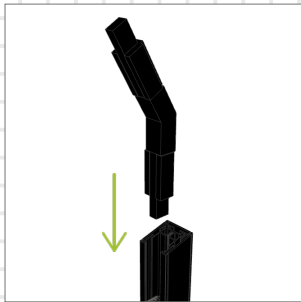
Length infill
= Length profile



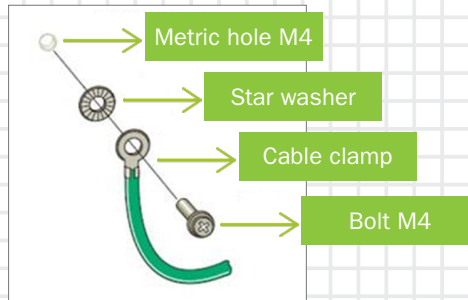
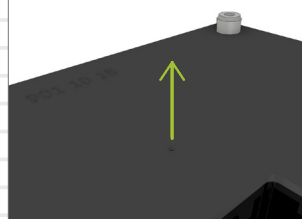
20mm SA4 hook tape

How to...

set up the
lighting pole
261 015 001

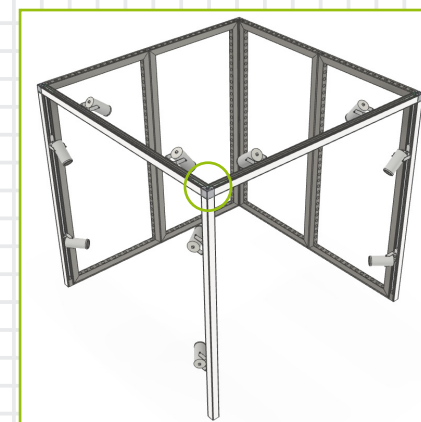
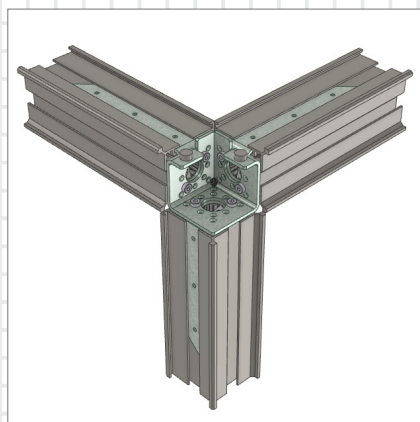
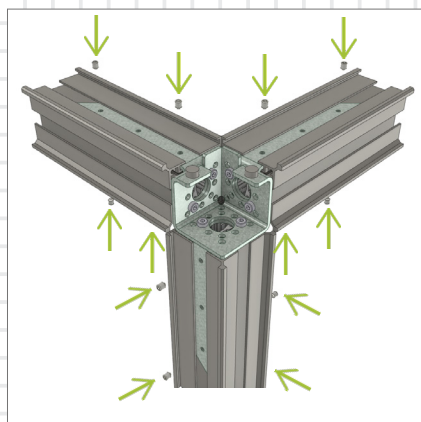
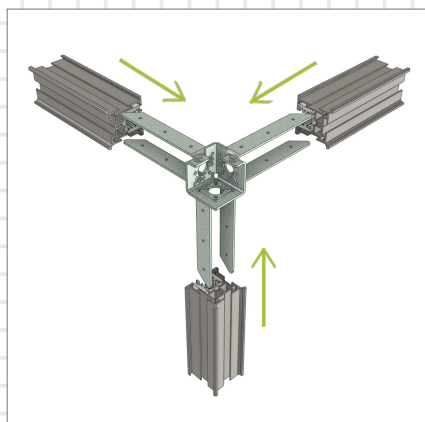


M4 hole available on the bottom of the baseplate when extra grounding is necessary.



How to...

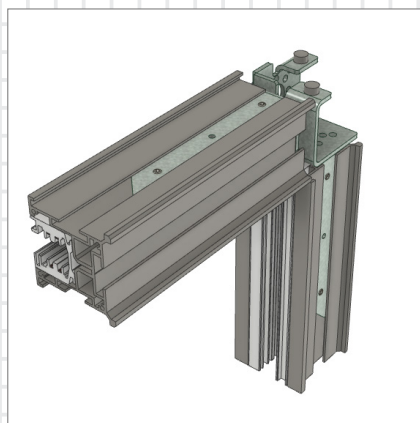
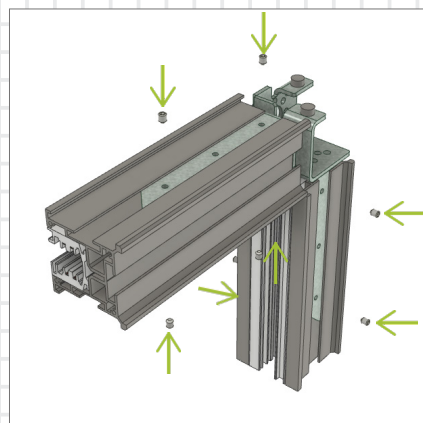
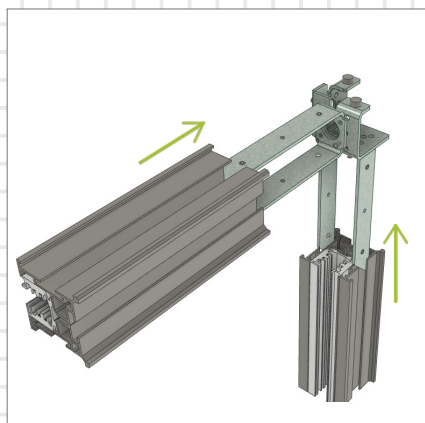
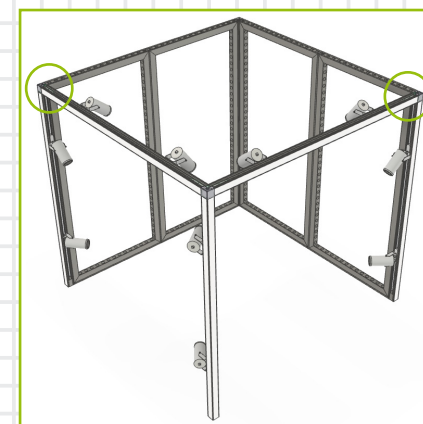
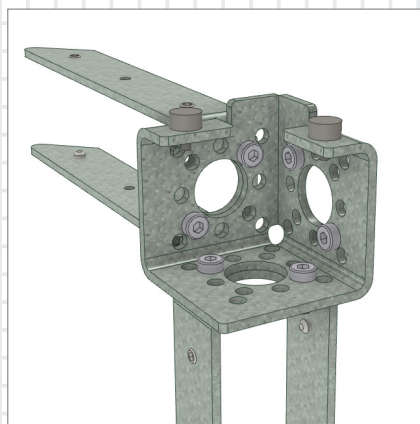
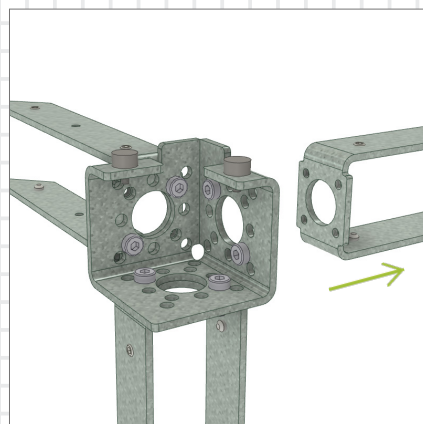
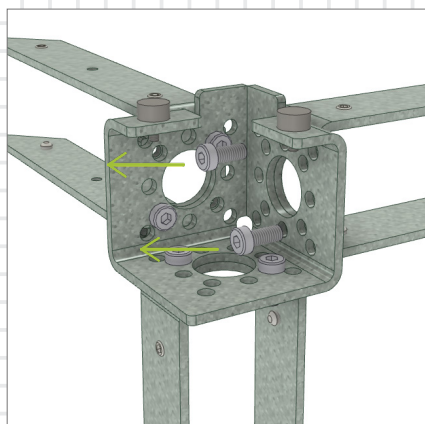
use the "V"
connection set
637 25 0202



beMatrix BVBA cannot be held responsible for the structural stability of the final implementation.
Possible extra charges for additional reinforcements or rigging are at client's expense.

How to...

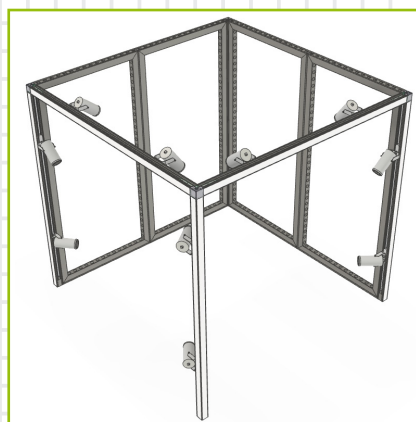
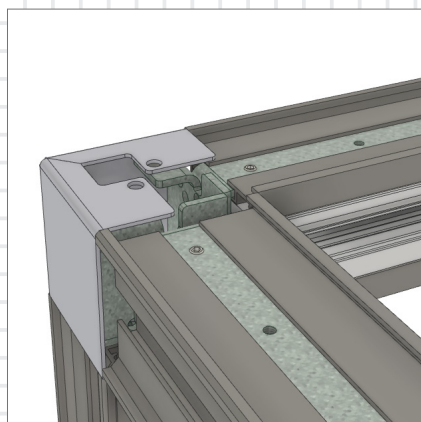
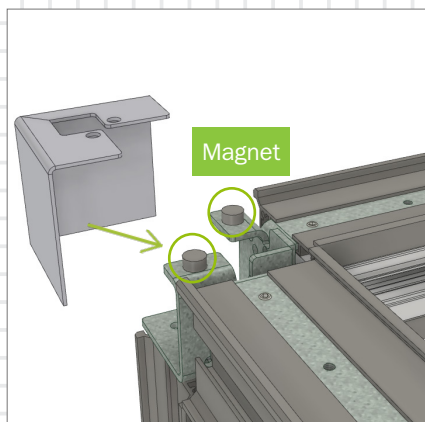
use the "V"
connection set
637 25 0202



beMatrix BVBA cannot be held responsible for the structural stability of the final implementation.
Possible extra charges for additional reinforcements or rigging are at client's expense.

How to...

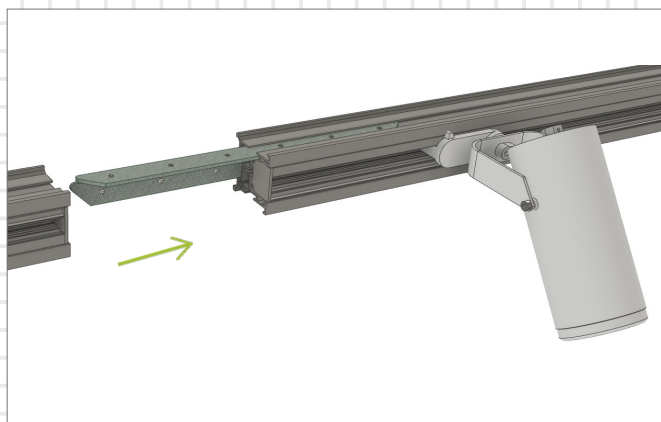
use the cover
of the "V"
connection set
612 25 0204



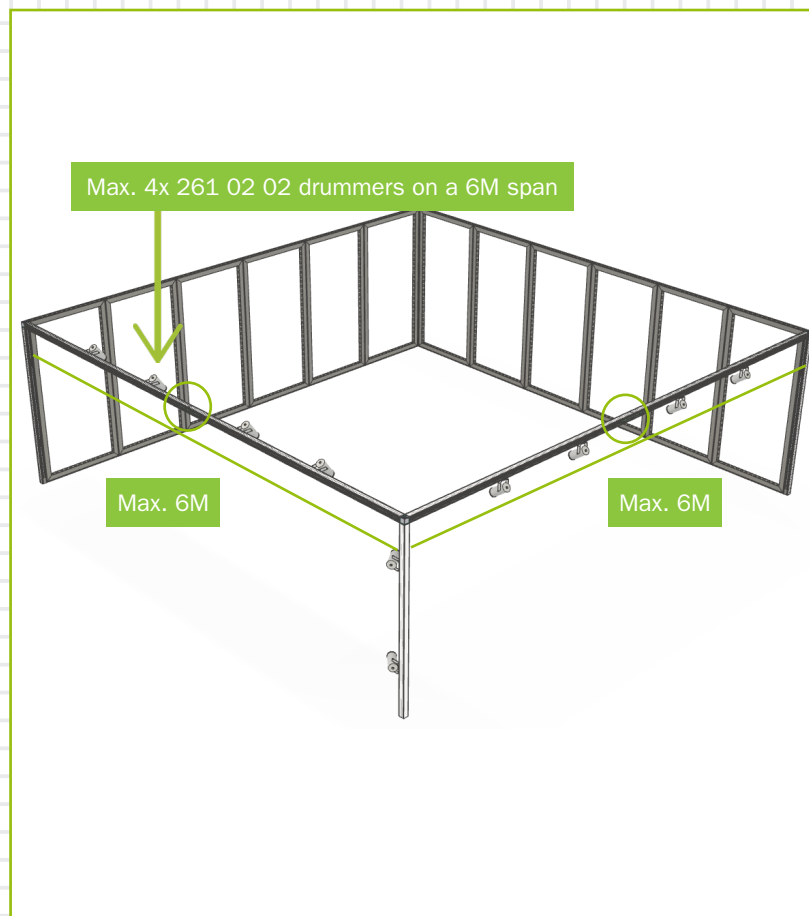
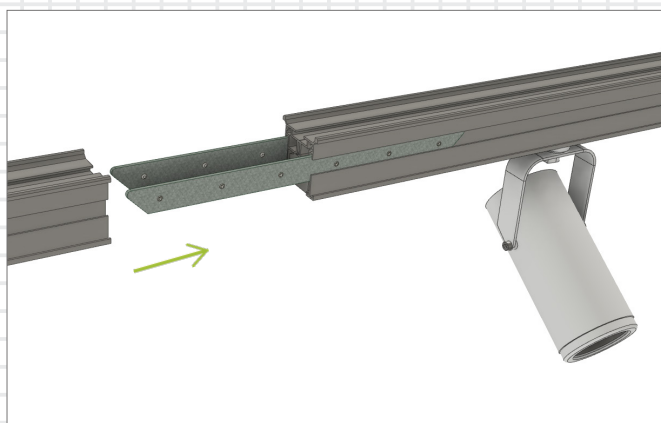
How to...

connect 2 Track profiles
710 25 0307

Option 1



Option 2



beMatrix BVBA cannot be held responsible for the structural stability of the final implementation.
Possible extra charges for additional reinforcements or rigging are at client's expense.

How to...

use the 90° pin
D30/D8
901 40 0341
L/R

